

R1-R5 must be less than 2.4 mm thick.
Standard through-hole size 0207 *may* fit; check manufacturer spec.
Smaller through-hole size 0204 will definitely fit.
SMD size 0603 or 0805 can be used alternatively.

Paper Tape Reader
juergen@e-basteln.de 12/2020

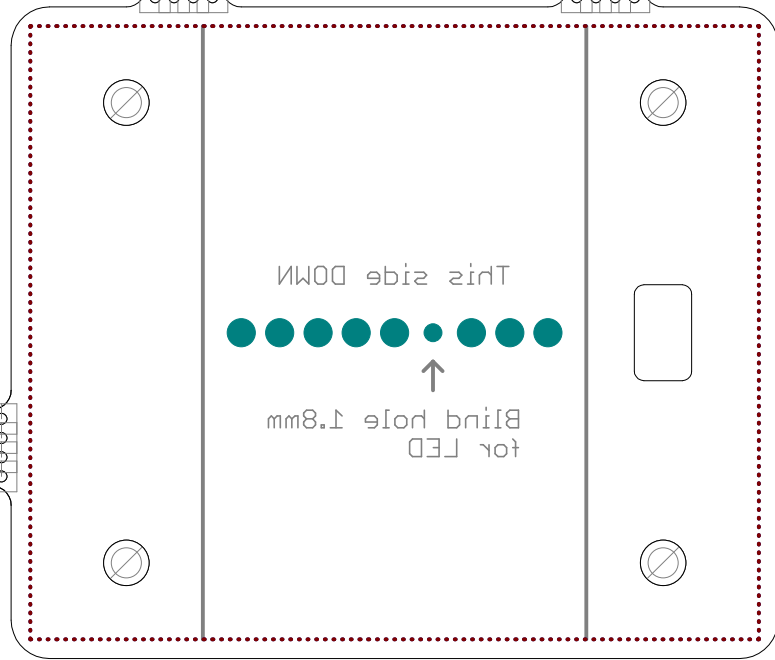
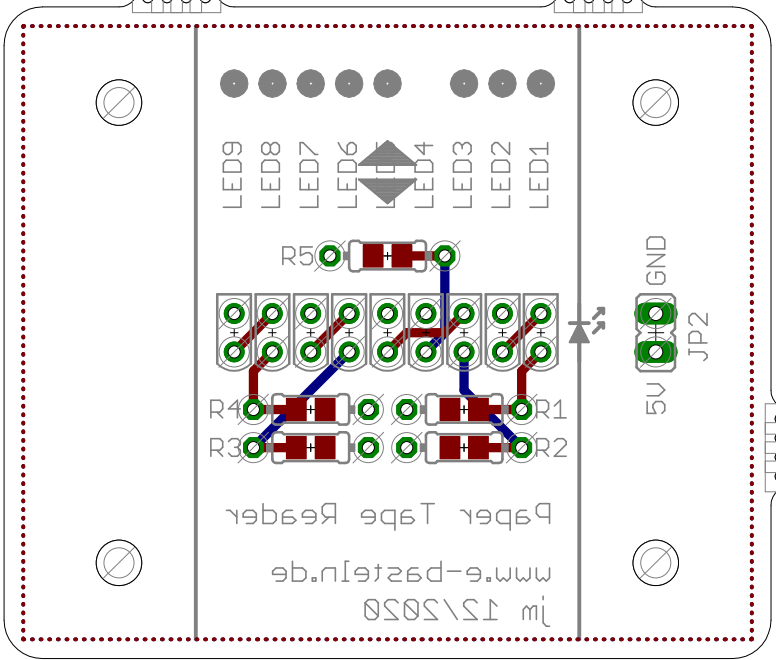
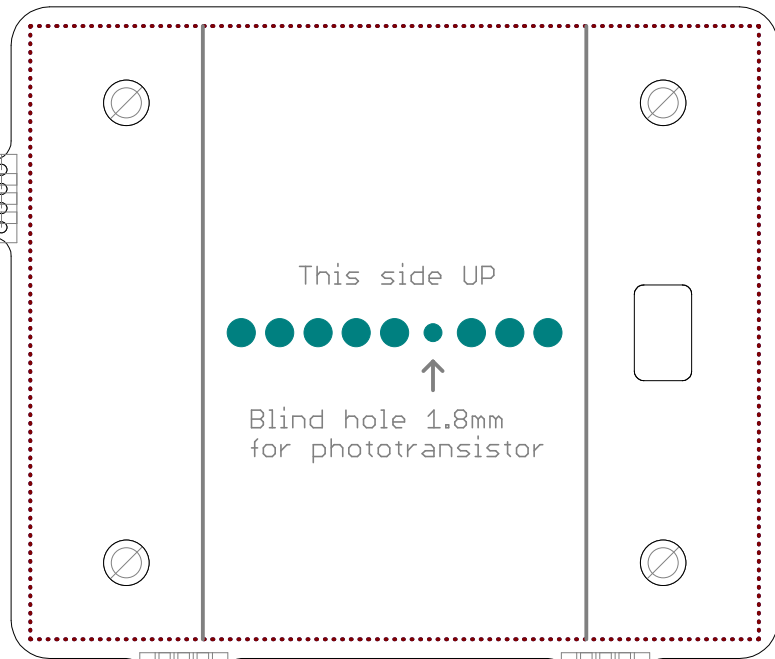
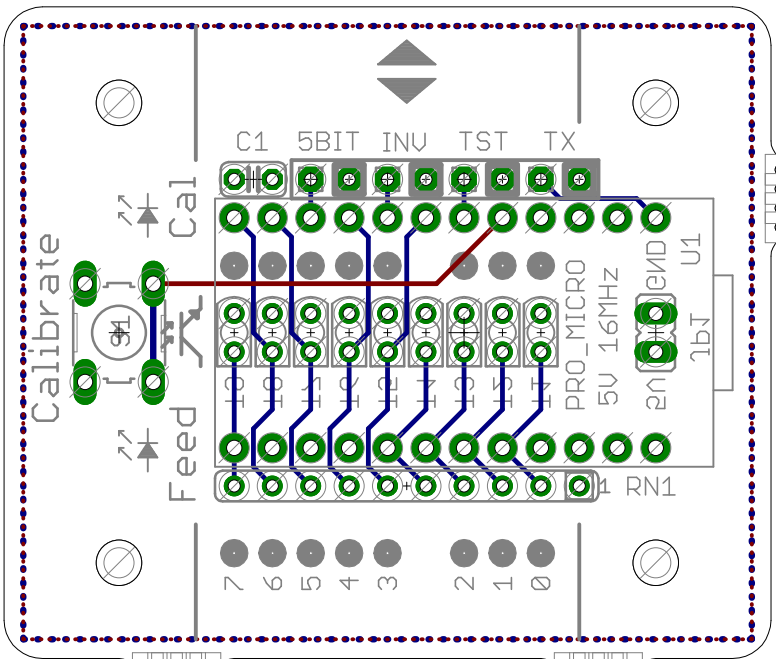
TITLE: Papertape_PCB

Document Number:

REV:

Date: 31.01.2021 23:22

Sheet: 1/1



1.2 mm PCB strength
need 4 per device

